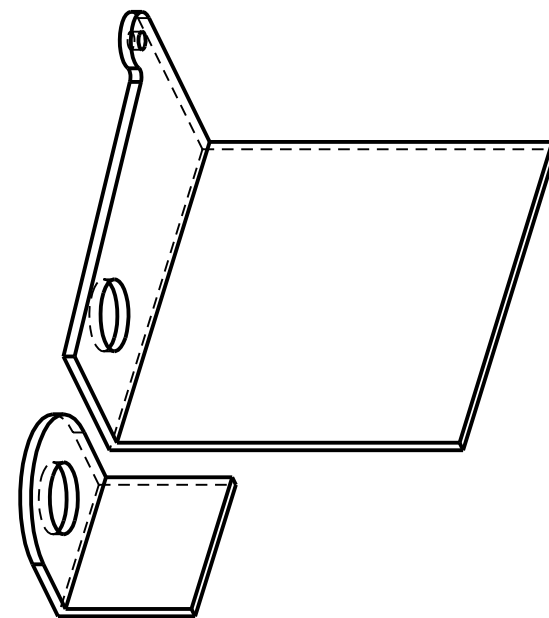


Rudder Pedals - make 2 left and 2 right (mirror images)

SCALE 1.000



Material - 6061-T6 .125 thick aluminum angle
